

SmartBright Waterproof G2

SmartBright Waterproof G2 is an innovation from SmartBright Waterproof G1, can be used to replace traditional waterproof luminaires with fluorescent lamps or LED tubes, provides quality of light with substantial energy & maintenance savings.

The luminaire and its components are designed for both indoor and semi-outdoor application (anti-UV PC material housing and diffuser), it is an ideal lighting solution for canopy, food industry, parking garages, car washers.

Beyond that, SmartBright Waterproof G2 is also maintenance free by seal for life integral design, and reliable 25K hrs lifetime.

Features & Benefits

- **Robust design:** IP65 IK06, Anti UV Polycarbonate housing, dual extrusion technology.
- **Excellent Performance:** good uniformity SDCM<5, high quality light CRI>80, more brighter with higher lumen output.
- **Reliable Quality:** 25K hours with 70% lumen maintained, wide range working temperature from -30°C to +45°C, can be applied in various industrial environments.
- **Easy Installation:** Stainless Universal Mounting Clip, Stainless Screws, Stainless Hooks, all in 1 package with luminaire.
- **Easy Wiring:** 3 wiring options for select, fulfill with customer wiring habits.



SmartBright Waterproof G2 - WT066C

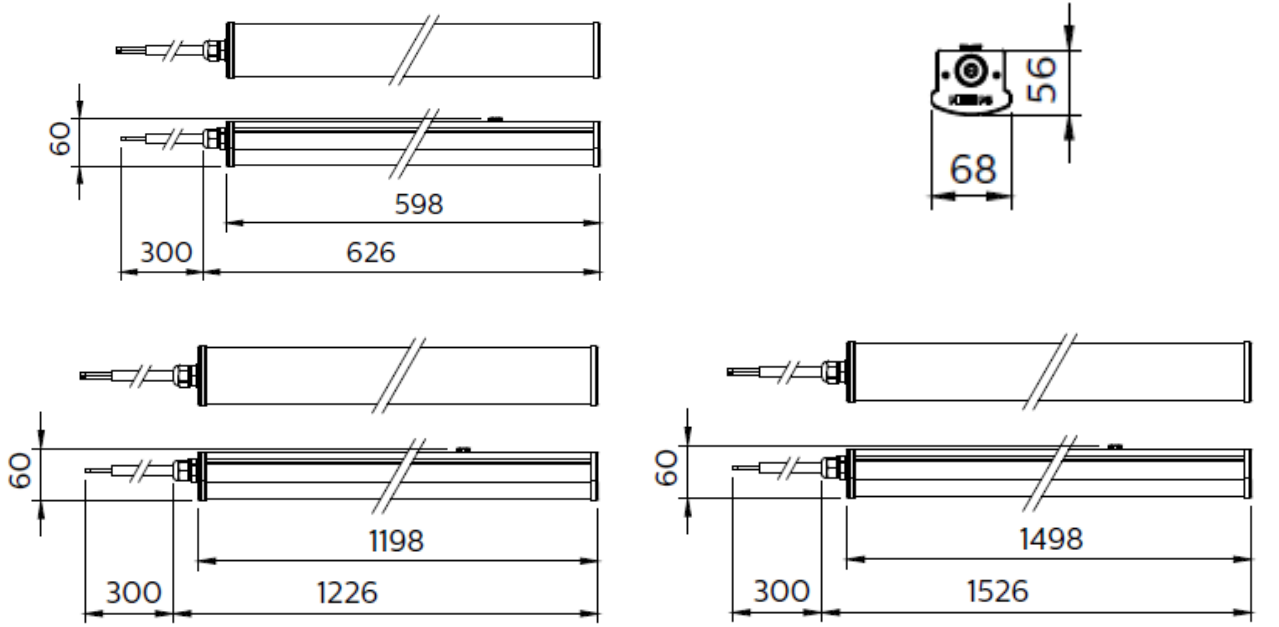
Specifications

Product		Smart Bright Waterproof G2 WT066C				
1 to 1 Replacement Conventional		1/2 x 18W/14W		1/2 x 36W/28W		1/2 x 58W/54W
Type Matrix	Luminaire Length	600mm		1200mm		1500mm
	Lumen Output	900lm	1800lm	1800lm	3600lm	4500lm
	Power	9W	19W	19W	40W	49W
	CCT	NW 4000K/CW 6500K				
Optics	SDCM	<5				
	CRI	>80				
Electrical	Input Voltage	220~240/50~60hz				
	Power factor	> 0.9				
System Efficiency		> 90 lm/W				
Operating temperature		- 30°C ~ +45°C				
IP rating		IP65				
IK rating		IK06				
Lifetime		> 25K hrs (L70B50) @25°C				
Luminaire Class		Class II				
Connect interface		Through Wiring (Max. 6 pcs) – TW version Stand Alone: Terminal Block Push-in – TB version Stand Alone: Flying Wire 0.3M – FW version				
Installation		Surface & Suspension				
Certificate		CB/EMC/CE/SAA				
Control		Fixed Only				

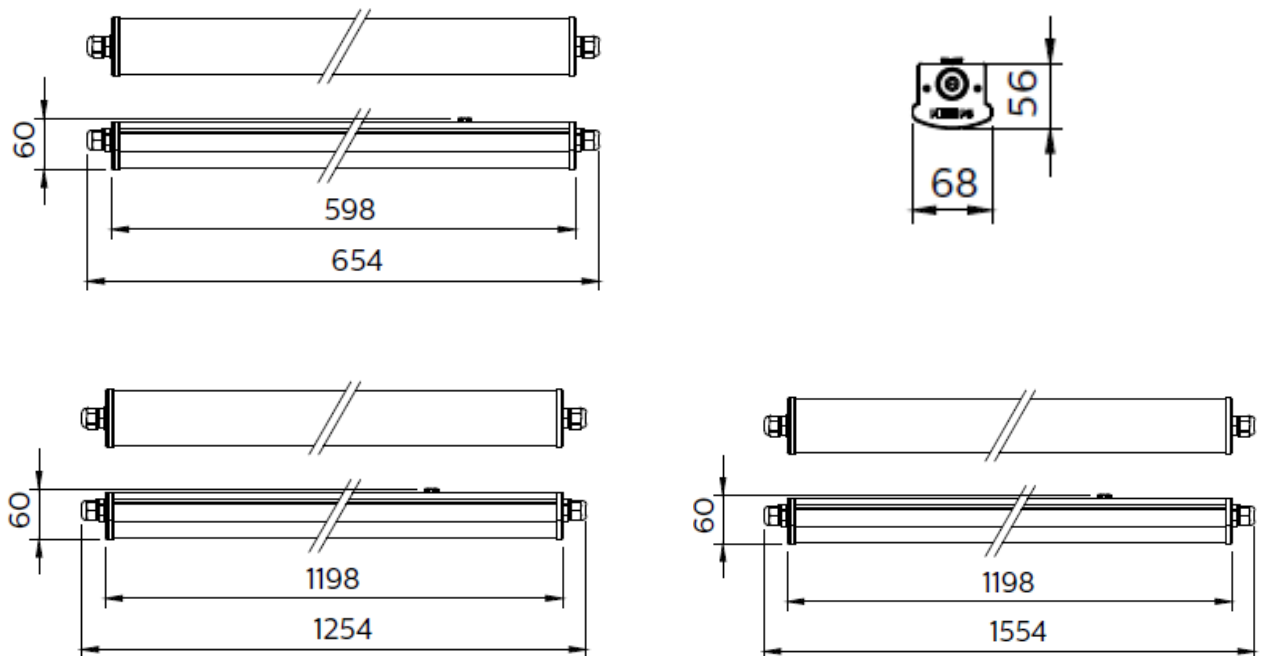
SmartBright Waterproof G2 – WT066C

Dimensional Drawing
(units: mm)

Flying wire version & Terminal Block Push-in Version



Through version:



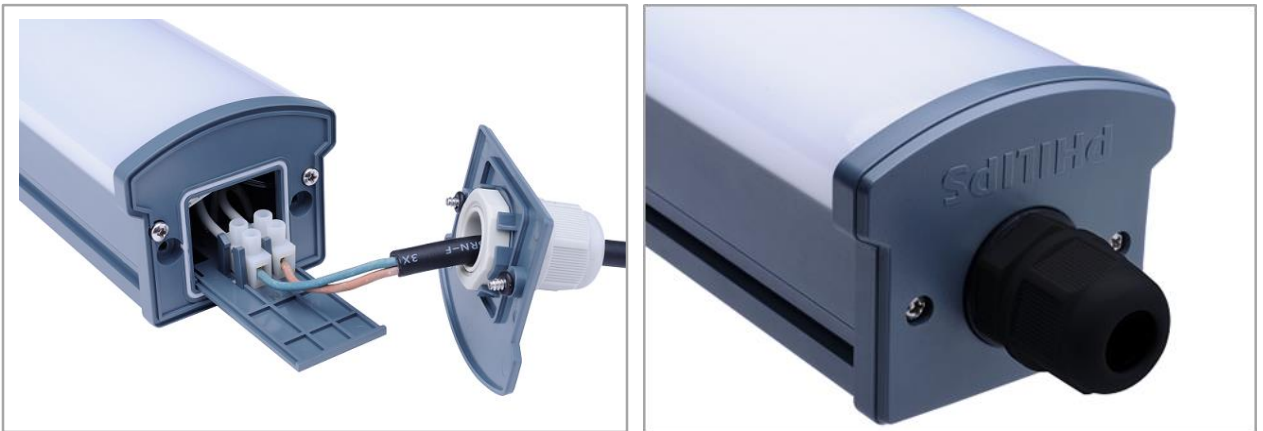
SmartBright Waterproof G2 – WT066C

Product Details

Stainless steel brackets / screws, and luminaire all in one package

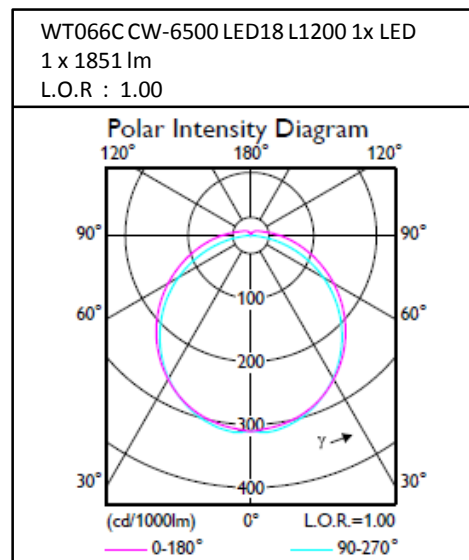
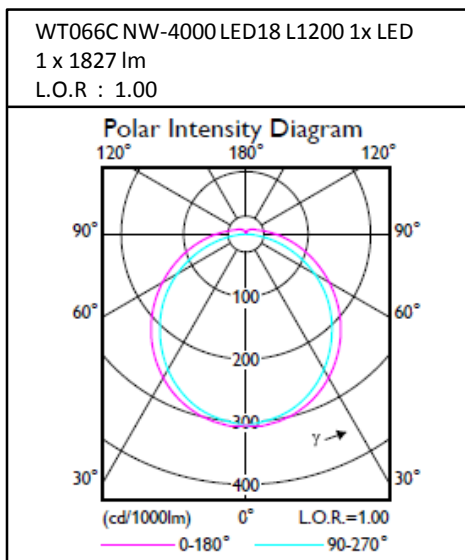
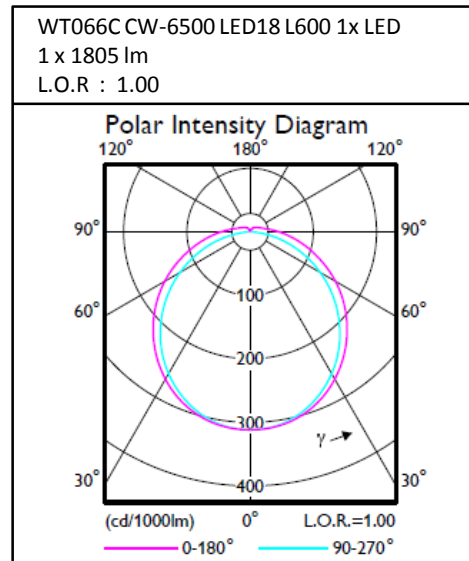
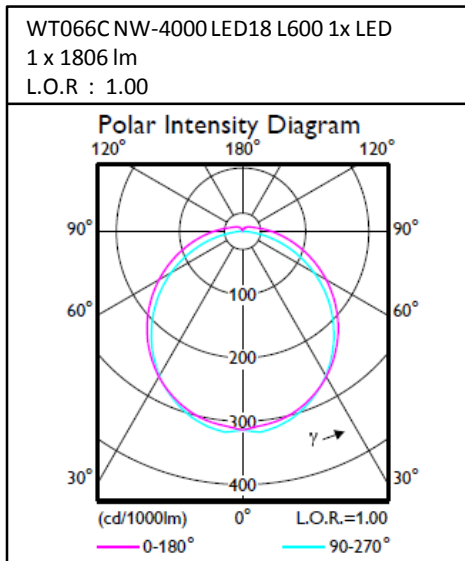
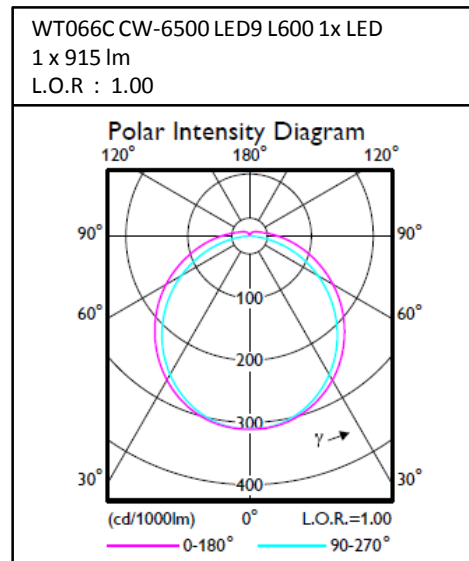
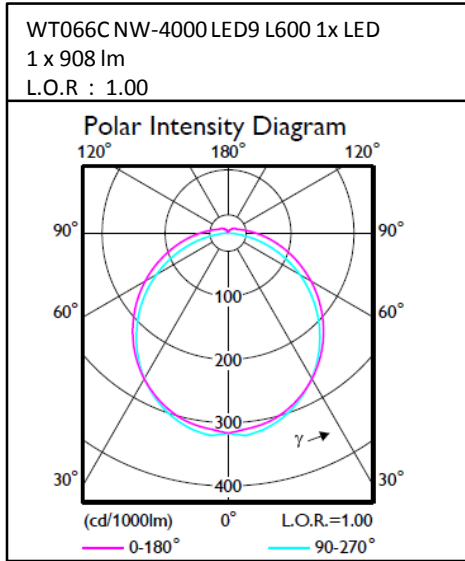


End cup openable for terminal block wiring (TB version and TW version)



SmartBright Waterproof G2 – WT066C

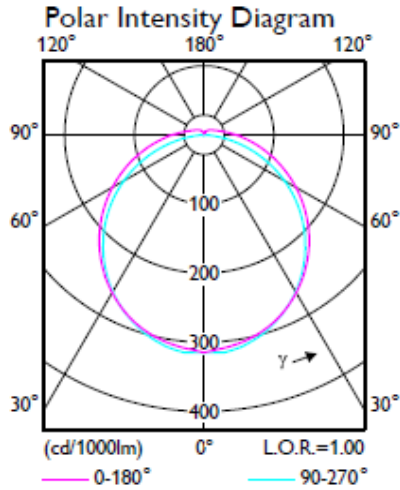
Photometric



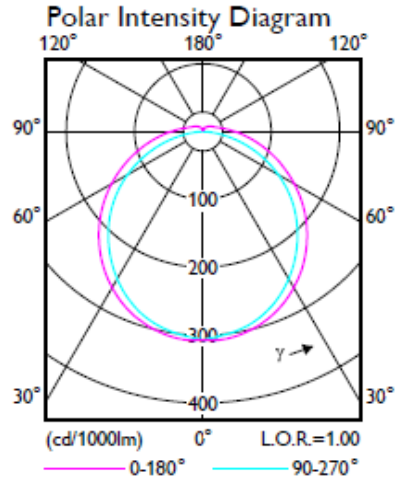
SmartBright Waterproof G2 – WT066C

Photometric

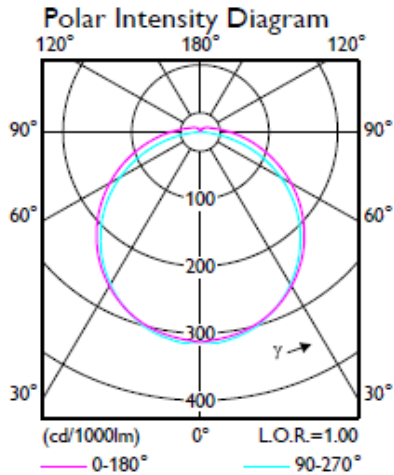
WT066C NW-4000 LED36 L1200 1x LED
1 x 3604 lm
L.O.R : 1.00



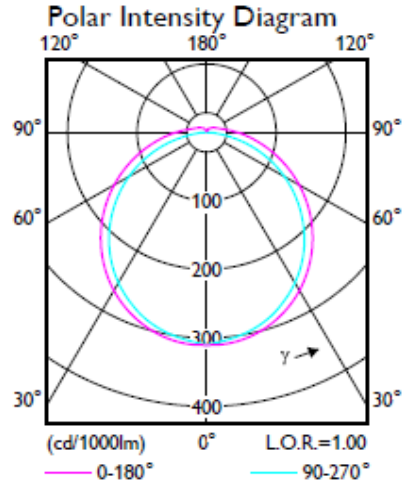
WT066C CW-6500 LED36 L1200 1x LED
1 x 3606 lm
L.O.R : 1.00



WT066C CW-4000 LED45 L1500 1x LED
1 x 4504 lm
L.O.R : 1.00



WT066C CW-6500 LED45 L1500 1x LED
1 x 4506 lm
L.O.R : 1.00



SmartBright Waterproof G2 – WT066C

NO.	12NC	Product Description
1	911401822597	WT066C CW LED9 L600 PSU TB
2	911401822697	WT066C NW LED9 L600 PSU TB
3	911401822797	WT066C CW LED18 L600 PSU TB
4	911401822897	WT066C NW LED18 L600 PSU TB
5	911401822997	WT066C CW LED18 L1200 PSU TB
6	911401823097	WT066C NW LED18 L1200 PSU TB
7	911401823197	WT066C CW LED36 L1200 PSU TB
8	911401823297	WT066C NW LED36 L1200 PSU TB
9	911401823497	WT066C NW LED45 L1500 PSU TB
10	911401823397	WT066C CW LED45 L1500 PSU TB
1	911401823597	WT066C CW LED9 L600 PSU TW
2	911401823697	WT066C NW LED9 L600 PSU TW
3	911401823797	WT066C CW LED18 L600 PSU TW
4	911401823897	WT066C NW LED18 L600 PSU TW
5	911401823997	WT066C CW LED18 L1200 PSU TW
6	911401824097	WT066C NW LED18 L1200 PSU TW
7	911401824197	WT066C CW LED36 L1200 PSU TW
8	911401824297	WT066C NW LED36 L1200 PSU TW
9	911401824397	WT066C CW LED45 L1500 PSU TW
10	911401824497	WT066C NW LED45 L1500 PSU TW
1	911401824597	WT066C CW LED9 L600 PSU FW
2	911401824697	WT066C NW LED9 L600 PSU FW
3	911401824797	WT066C CW LED18 L600 PSU FW
4	911401824897	WT066C NW LED18 L600 PSU FW
5	911401824997	WT066C CW LED18 L1200 PSU FW
6	911401825097	WT066C NW LED18 L1200 PSU FW
7	911401825197	WT066C CW LED36 L1200 PSU FW
8	911401825297	WT066C NW LED36 L1200 PSU FW
9	911401825397	WT066C CW LED45 L1500 PSU FW
10	911401825497	WT066C NW LED45 L1500 PSU FW