

4F Condulet® Conduit Outlet Boxes

With Covers for Threaded Rigid and IMC

Cl. I, Div. 1 & 2, Groups C,D
 Cl. II, Div. 1, Groups E,F,G
 Cl. II, Div. 2, Groups F,G
 Cl. III
 NEMA 3,4,7CD,9EFG

Explosionproof
 Dust-Ignitionproof
 Raintight
 Wet Locations

Application:

GUA series conduit outlet boxes are installed within hazardous area conduit systems to:

- protect conductors in threaded rigid conduit
- act as pull and splice boxes
- connect lengths of conduit
- change conduit direction
- provide access to conductors for maintenance and future system changes
- act as mounting outlets for fixtures (with appropriate covers)
- act as sealing fittings (with appropriate covers)

Features:

GUA conduit boxes have:

- Neoprene "O" ring standard to meet NEMA 4 requirements
- Cast ears on cover to permit easy removal and tightening
- Internal green ground screw
- Four standard mounting pads except for boxes with bottom hubs
- threaded cover openings
- ten different hub arrangements
- taper threaded hubs to provide grounding continuity
- smooth integral hub bushing protects conductor insulation when pulling
- surface covers furnished with boxes
- sealing covers, dome covers, and fixture hanger covers are available.
- cover threads are 12 pitch.

Standard Materials:

- Bodies – *Feraloy* iron alloy
- Covers – Copper-free aluminum

Standard Finishes:

- *Feraloy* iron alloy – electrogalvanized and aluminum acrylic paint
- Aluminum – natural

Size Ranges:

- Hub – 1/2" to 2"
- Cover opening – 2" to 5" dia.

Options:

Description

Bodies – copper-free aluminum SA †*
 Covers – *Feraloy* iron alloy – electrogalvanized and aluminum acrylic paint WOD
 • GUA Form 6 (with 3" cover opening) are available with optional cover with viewing window -VW
Corro-free epoxy powder coat S752
 To order box less cover add "0" to end of catalog number ie.GUAT260.

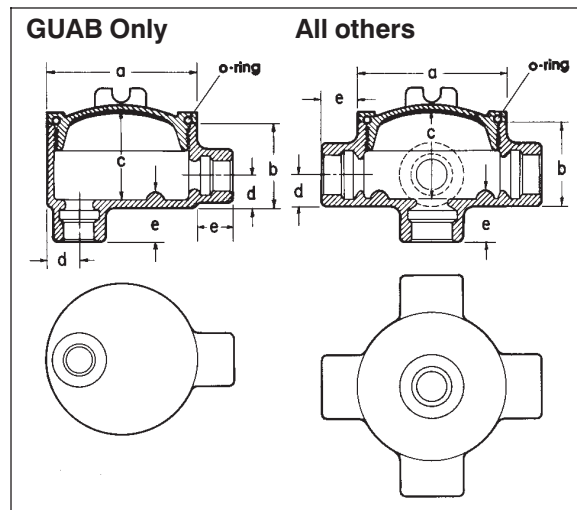
Suffix to be Added to Cat. #

Certifications and Compliances:

- NEC/CEC:
 Class I, Division 1 & 2, Groups C,D
 Class II, Division 1, Groups E,F,G
 Class II, Division 2, Groups F,G
 Class III
- UL Standard: 886
- ANSI Standard: C33.27
- CSA Standard: C22.2 No. 30
- NEMA/EEMAC 3,4

NOTE: When assembled with sealing type cover, GUA series outlet boxes provide adequate sealing for 40% fill in hazardous areas – Class I, Groups C,D; Class II, Groups E,F,G; and Class III. Seals can be made in either horizontal or vertical positions. Use *Chico*® "A" sealing compound or *Chico*® SpeedSeal only. Conductor splices or connections must not be made in enclosures where sealing compound is to be used per NEC.

Dimensions



Length of Hub Hub Size	Dimension "e" Length
1/2-3/4	7/8
1-1 1/4	1
1 1/2-2	1 1/16

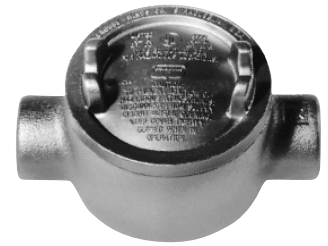
GUA, GUAD, GUAM, GUAW, GUAX

Cat. #	a	b	c	d
14	2 1/2	1 13/16	1 3/4	5/8
24	2 1/2	2	2	3/4
16	3 1/2	2	1 7/8	5/8
26	3 1/2	2	1 7/8	3/4
36	3 1/2	2 5/16	2 3/16	7/8
37	4 1/4	2 5/16	2 3/8	7/8
47	4 1/4	2 11/16	2 3/4	1 3/32
49	5 3/4	3 13/16	3 3/4	1 3/32
59	5 3/4	3 13/16	3 3/4	1 3/32
69	5 3/4	4 1/16	4	1 1/16



GUA

Hub Size	Cover Opening Dia.	Cat. #
1/2	2	GUA14
3/4	2	GUA24
1/2	3	GUA16
3/4	3	GUA26*
1	3	GUA36
1 1/4	3 3/8	GUA47
1 1/2	5	GUA59



GUAC

Hub Size	Cover Opening Dia.	Cat. #
1/2	2	GUAC14†
3/4	2	GUAC24†
1/2	3	GUAC16*
3/4	3	GUAC26*
1	3	GUAC36*
1 1/4	3 3/8	GUAC47†
1 1/4	5	GUAC49
1 1/2	5	GUAC59†
2	5	GUAC69†



GUAB

Hub Size	Cover Opening Dia.	Cat. #
1/2	2	GUAB14†
3/4	2	GUAB24
1/2	3	GUAB16*
3/4	3	GUAB26*
1	3	GUAB36*
1 1/4	3 3/8	GUAB47†
1 1/2	5	GUAB59†
2	5	GUAB69†



GUAD

Hub Size	Cover Opening Dia.	Cat. #
1/2	2	GUAD14†
3/4	2	GUAD24
1/2	3	GUAD16
3/4	3	GUAD26†
1	3	GUAD36†
1 1/4	5	GUAD49

† Available in copper-free aluminum, add suffix -SA.

* Available in copper-free aluminum, add suffix -SA. GUA outlet boxes marked with * when ordered with suffix -SA are listed for Class I, Division 1 & 2, Groups B, C and D, Class II, Division 1, Groups E, F, G and Class III. Covers have 16 pitch threads. Replacement cover is a GUA06-GB.

Condulet® Conduit Outlet Boxes

With Covers for Threaded Rigid and IMC

Cl. I, Div. 1 & 2, Groups C,D
 Cl. II, Div. 1, Groups E,F,G
 Cl. II, Div. 2, Groups F,G
 Cl. III
 NEMA 3,4,7CD,9EFG

Explosionproof
 Dust-Ignitionproof
 Raintight
 Wet Locations

4F

4F
 Conduit Outlet
 Boxes & Bodies



GUAL

Hub Size	Cover Opening Dia.	Cat. #
1/2	2	GUAL14†
3/4	2	GUAL24†
1/2	3	GUAL16*
3/4	3	GUAL26*
1	3	GUAL36*
1 1/4	3 5/8	GUAL47†
1 1/4	5	GUAL49†
1 1/2	5	GUAL59†
2	5	GUAL69†

GUAN

Hub Size	Cover Opening Dia.	Cat. #
1/2	2	GUAN14
3/4	2	GUAN24
1/2	3	GUAN16
3/4	3	GUAN26
1	3	GUAN36†
1 1/4	3 5/8	GUAN47
1 1/2	5	GUAN59†
2	5	GUAN69

GUAT

Hub Size	Cover Opening Dia.	Cat. #
1/2	2	GUAT14†
3/4	2	GUAT24†
1/2	3	GUAT16*
3/4	3	GUAT26*
1	3	GUAT36*
1	3 5/8	GUAT37
1 1/4	3 5/8	GUAT47†
1 1/4	5	GUAT49†
1 1/2	5	GUAT59†
2	5	GUAT69†

GUAX

Hub Size	Cover Opening Dia.	Cat. #
1/2	2	GUAX14†
3/4	2	GUAX24†
1/2	3	GUAX16*
3/4	3	GUAX26*
1	3	GUAX36*
1	3 5/8	GUAX37†
1 1/4	3 5/8	GUAX47†
1 1/4	5	GUAX49
1 1/2	5	GUAX59†
2	5	GUAX69†



GUAM

Hub Size	Cover Opening Dia.	Cat. #
1/2	2	GUAM14†
3/4	2	GUAM24
1/2	3	GUAM16
3/4	3	GUAM26
1	3	GUAM36
1 1/4	3 5/8	GUAM47
2	5	GUAM69

GUAW

Hub Size	Cover Opening Dia.	Cat. #
1/2	2	GUAW14†
3/4	2	GUAW24†
1/2	3	GUAW16
3/4	3	GUAL26†

Dimensions

GUAC, GUAT

Cat. #	a	b	c	d
14	2 1/2	2 1/4	2 3/16	5/8
24	2 1/2	2	2	3/4
16	3 1/2	2	1 7/8	5/8
26	3 1/2	2	1 7/8	3/4
36	3 1/2	2 5/16	2 3/16	7/8
37	4 1/4	2 9/16	2 3/8	7/8
47	4 1/4	2 1 1/16	2 3/4	1 3/32
49	5 3/4	3 1 3/16	3 3/4	1 9/32
59	5 3/4	3 1 3/16	3 3/4	1 9/32
69	5 3/4	4 1/16	4	1 9/16

GUAN

Cat. #	a	b	c	d
14	2 1/2	2 1/8	2 1/16	5/8
24	2 1/2	2 5/16	2 1/4	3/4
16	3 1/2	2	1 7/8	3/4
26	3 1/2	2	1 7/8	3/4
36	3 1/2	2 5/16	2 3/8	7/8
47	4 1/4	2 1 1/16	2 3/4	1 3/32
59	5 3/4	4 1/16	4	1 9/32
69	5 3/4	4 1/16	4	1 9/16

GUAB, GUAL

Cat. #	a	b	c	d
14	2 1/2	2 1/4	2 3/16	5/8
24	2 1/2	2 1/2	2 7/16	3/4
16	3 1/2	2	1 7/8	5/8
26	3 1/2	2	1 7/8	3/4
36	3 1/2	2 5/16	2 3/16	7/8
47	4 1/4	2 1 1/16	2 3/4	1 3/32
49	5 3/4	3 1 3/16	3 3/4	1 5/32
59	5 3/4	3 1 3/16	3 3/4	1 9/32
69	5 3/4	4 1/16	4	1 9/16

* Available in copper-free aluminum, add suffix -SA. GUA outlet boxes marked with * when ordered with suffix-SA are listed for Class I, Division 1&2, Groups B, C and D, Class II, Division 1, Groups E, F, G and Class III. Covers have 16 pitch threads. Replacement cover is a GUA06-GB.

† Available in copper-free aluminum, add suffix -SA.